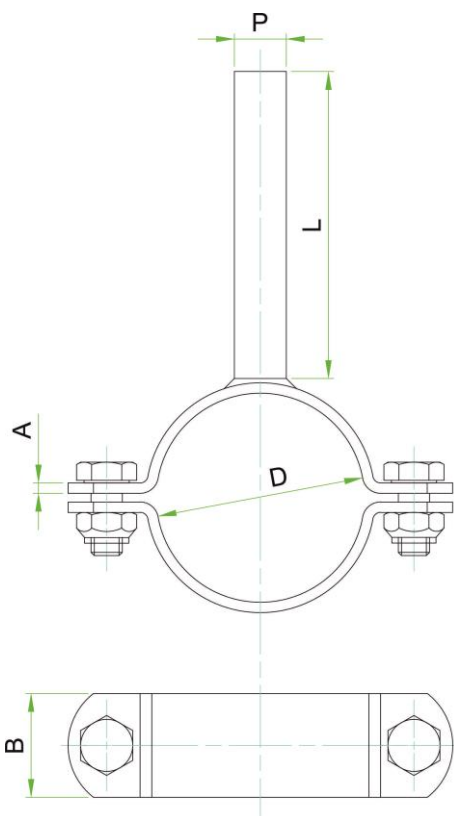




Zakład Produkcyjno-Handlowy Admet
 Adam Czachor
 Dobrynin 12a, 39-322 Rzemień
 NIP: 817 107 29 73
 tel. 17 774 81 44, fax. 17 774 81 45
 www.admet.com.pl, biuro@admet.com.pl

Stainless steel pipe clamps

(Norm: DIN 3567 A, ZN-ADM-301-01:2014)



Clamps are made of stainless steel
 AISI 304/EN 1.4301 or AISI 316L/EN1.4404.

Clamps are sold with screws and self-
 locking nuts.

Both rods dimensions can be adjusted to
 specification. It is possible to fix a nut,
 threaded rod or a screw for a wall plug,
 in place of the smooth rod.

[D] : Size [DN]	[B] x [A] : Flat [mm]	Nuts and bolts	[P] x [L] : Smooth and threaded rod
10	15x2	M5x12	6x60
12	15x2	M5x12	6x60
12	20x2	M6x16	8x60
13,5; 14	15x2	M5x12	6x60
13,5; 14	20x2	M6x16	8x60
17,2	15x2	M5x12	6x60
17,2	20x2	M6x16	8x60
18	20x2	M6x16	8x60
20	20x2	M6x16	8x60
21,3; 22	20x2	M6x16	8x60
25	20x2	M6x16	8x60
26,9	20x2	M6x16	8x60
28	20x2	M6x16	8x60
32	20x2	M6x16	8x60
33,7; 34	20x2	M6x16	8x60
38	20x2	M6x16	8x60
40	20x2	M6x16	8x60
42,4	20x2	M6x16	8x60
48,3	25x2	M6x16	10x60
50; 51; 52	25x2	M6x16	10x60
60,3	25x2	M6x16	10x60
63,5	25x2	M6x16	10x60
70	25x2	M6x16	12x60
76,1	25x2	M6x16	12x60
85	25x2	M6x16	12x60
88,9	25x2	M6x16	12x60
101,6	30x2,5	M8x20	12x60
104	30x2,5	M8x20	12x60
108	30x2,5	M8x20	12x60
110	30x2,5	M8x20	12x60
114,3	30x2,5	M10x25	12x60
129	30x2,5	M10x25	14x60
139,7; 140	30x2,5	M10x25	14x60
154	30x3	M10x25	14x60
159; 160	30x3	M10x25	14x60
168,3	30x3	M10x25	14x60
200	30x4	M10x25	18x60
202	30x4	M10x25	18x60
204	30x4	M10x25	18x60
219	30x4	M10x25	18x60
225	40x4	M12x35	18x60
254	40x4	M12x35	20x80
254	50x5	M16x35	20x80
256	40x4	M12x35	20x80
256	50x5	M16x35	20x80
273	40x4	M12x35	20x80
273	50x5	M16x35	22x80
280	50x5	M16x35	22x80
304	50x5	M16x35	22x80
306	50x5	M16x35	22x80
315	50x5	M16x35	22x80
318	50x5	M16x35	25x80
323,9	50x5	M16x35	30x100
355,6	50x5	M16x35	30x100
406,4	50x6	M16x35	35x100
508	50x6	M16x35	
609	50x6	M16x35	